

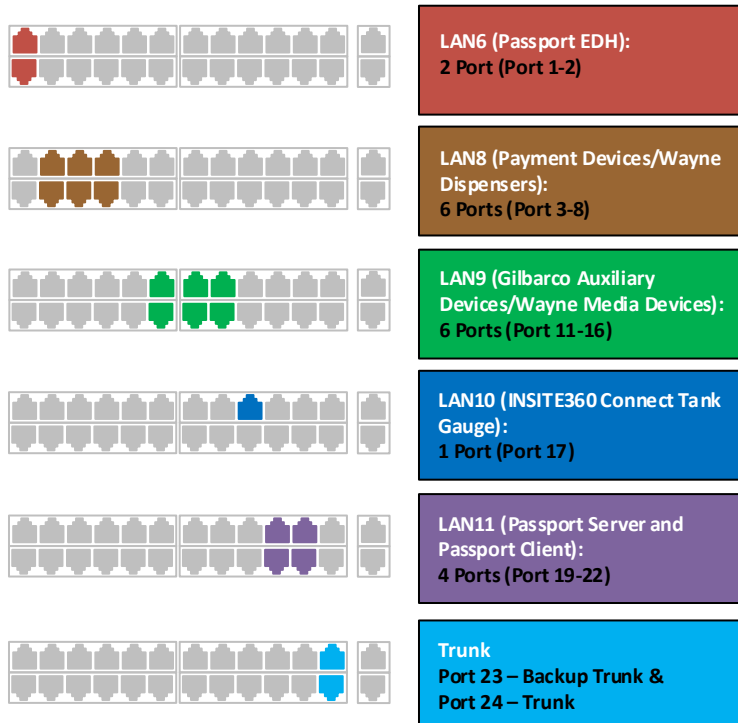
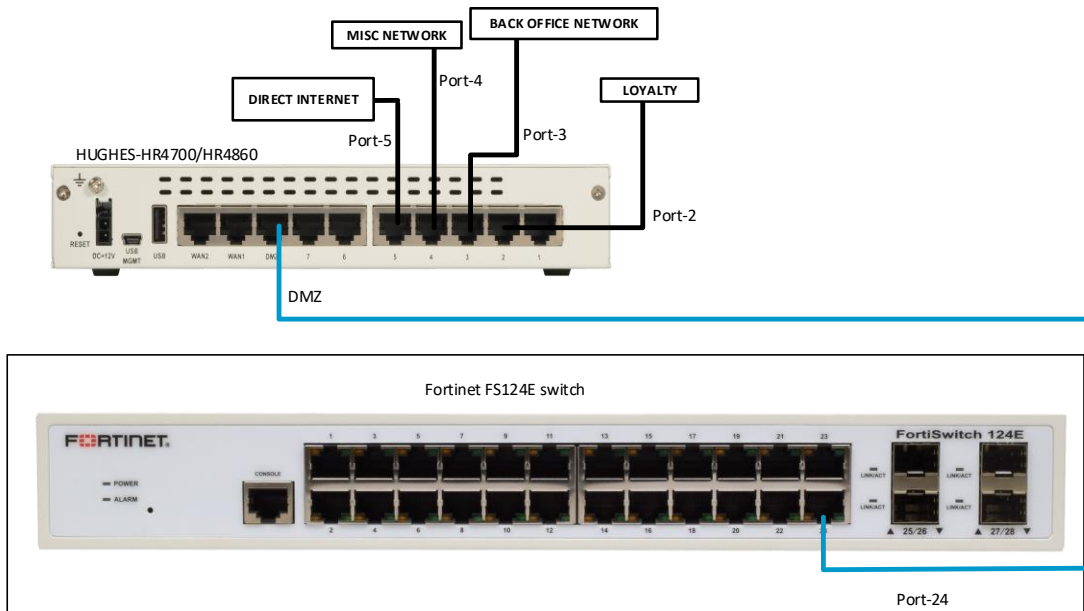
Phillips 66 Gilbarco MNSP Setup Guide

Thank you for choosing Hughes as your Managed Network Services Provider (MNSP)!

PREPARING FOR THE INSTALLATION: To complete the full cutover of your location, please contact your ASC certified POS Technician to schedule an appointment to migrate the existing POS infrastructure to the MNSP solution preparing your location for all the other Outdoor EMV requirements.

FOR ASSISTANCE: Call Hughes Phillips 66 Customer Service: **1-855-506-5290, Option 3 (Technical Support) or Option 9 (POS Tech MNSP Support)**

GILBARCO MNSP FORTISWITCH PORT ASSIGNMENT



For Assistance, Call Hughes Phillips 66 Customer Service: **1-855-506-5290, Option 3 (Technical Support) or Option 9 (POS Tech MNSP Support)**

GILBARCO PORT CONFIGURATION		
Ports	Devices	Description
HUGHES HR4700/HR4860- Port 1	NOT USED IN GILBARCO MNSP SETUP	NOT USED IN GILBARCO MNSP SETUP
HUGHES HR4700/HR4860- Port 2	Loyalty LAN	All the devices should be configured statically Subnet: 172.x.x.x/28 Default Gateway: 172.x.x.x Subnet Mask: 255.255.255.240 DNS IP: 66.82.4.8 & 66.82.2.12
HUGHES HR4700/HR4860- Port 3	Backoffice LAN	All the devices should be configured statically Subnet: 172.x.x.x/28 Default Gateway: 172.x.x.x Subnet Mask: 255.255.255.240 DNS IP: 66.82.4.8 & 66.82.2.12
HUGHES HR4700/HR4860- Port 4	Business Systems & Internet (ATG, ATM & MISC devices)	All the devices should be configured statically Subnet: 172.x.x.x/27 Default Gateway: 172.x.x.x Subnet Mask: 255.255.255.224 DNS IP: 66.82.4.8 & 66.82.2.12
HUGHES HR4700/HR4860- Port 5	DIRECT INTERNET	All the devices should be configured statically Subnet: 192.168.2.0/24 Default Gateway: 192.168.2.1 Subnet Mask: 255.255.255.0 DNS IP: 66.82.4.8 & 66.82.2.12
HUGHES HR4700/HR4860- DMZ	TRUNK	Connects to Port 24 on the Hughes FortiSwitch FS124E
Switch Port 1-2 (2 Ports)	Passport EDH (Enhanced Dispenser Hub)	Subnet: 10.5.50.0/30 Passport EDH device should be configured with static IP Passport EDH Static IP Range: 10.5.50.2 Subnet Mask for Passport EDH: 255.255.255.252 Default Gateway: 10.5.50.1
Switch Port 3-8 (6 Ports)	Payment Devices (Pin Pads, Unitec Wash Terminal, Dispensers, BRCM) & Wayne dispensers	Subnet: 10.5.55.0/24 All the devices should be configured statically Pin Pad Static IP Range: 10.5.55.11-10.5.55.22 Wash Terminal Static IP Range: 10.5.55.2-10.5.55.3 Dispensers Static IP Range: 10.5.55.71-10.55.55.231 BRCM Static IP: 10.5.55.254 – 10.5.55.251 Subnet Mask: 255.255.255.0 Default Gateway: 10.5.55.1 DNS IP: 10.5.55.1
		Wayne Dispensers Subnet: 172.29.1.0/24 Default Gateway: 172.29.1.1 Subnet Mask: 255.255.255.0 DNS IP: 172.29.1.1 or Hughes DNS (66.82.4.8 & 66.82.4.12)
Switch Port 11-16 (6 Ports)	Gilbarco Auxiliary Devices (Impulse Client, Applause server, Passport Edge, Receipt Printer, scanner, Customer Display) & Wayne Media server	Subnet: 10.5.60.0/23 All the devices should be configured statically Impulse Client Static IP Range: 10.5.60.3-10.5.60.52 Passport Edge Static IP Range: 10.5.61.2-10.5.61.51 Receipt Printer Static IP Range: 10.5.61.52-10.5.61.101 Customer Display Static IP Range: 10.5.61.102-10.5.61.151 Scanner Static IP Range: 10.5.61.152-10.5.61.201 Applause Server Static IP: 10.5.60.66 Subnet Mask: 255.255.254.0 Default Gateway: 10.5.60.1 DNS IP: 10.5.60.1
		Wayne Media Subnet: 172.29.2.0/24 Wayne Media Gateway Static IP: 172.29.2.51 Subnet Mask: 255.255.255.0 Default Gateway: 172.29.2.1 DNS IP: 172.29.2.1 or Hughes DNS (66.82.4.8 & 66.82.4.12)

Switch Port 17	INSITE360 CONNECT TANK GAUGE	Subnet: 10.5.62.0/29 All the devices should be configured statically Tank Gauge Static IP: 10.5.62.2 Subnet Mask: 255.255.255.248 Default Gateway: 10.5.62.1 DNS IP: 10.5.62.1
Switch Port 19-22 (4 Ports)	Passport Server and Passport Client	Subnet: 10.5.48.0/26 Passport Server (MWS) Static IP Range: 10.5.48.2 Passport Client (CWS) DHCP IP range:10.5.48.8.-10.5.48.19 Subnet Mask: 255.255.255.192 Default Gateway: 10.5.48.1 DNS IP: 10.5.48.1
Switch Port 23 & 24	TRUNK	Connects to DMZ on the Hughes HR4700/HR4860 on site